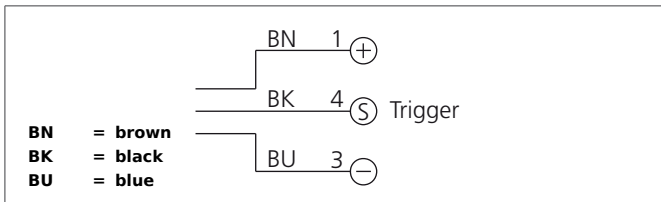


# BEK 1-P30-G3TI-IBS

## Spotlight

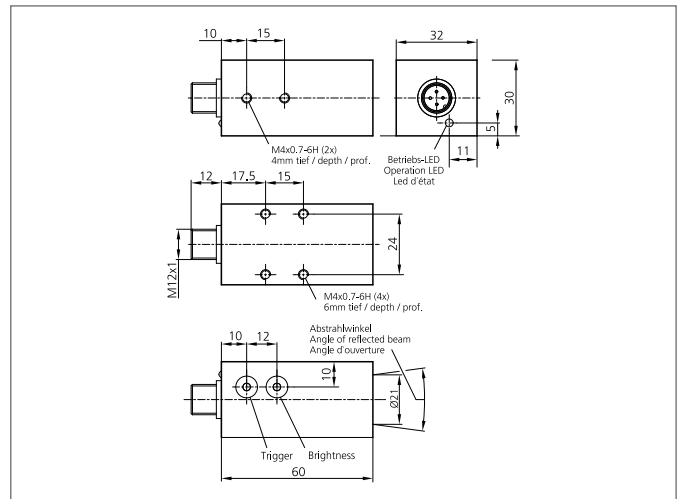
- Constant level of light intensity over the entire voltage range
- Homogenous luminous field
- External trigger input
- Internal control of power output
- High efficiency
- Low levels of heat produced
- Light intensity can be adjusted
- Robust metal casing



### Safety instructions

The Instruments are not to be used for safety applications, in particular applications in which safety of persons depends on proper operation of the instruments.

These instruments shall exclusively be used by qualified personnel.



TECHNICAL INFORMATION (typ.)	+20°C, 24V DC
Characteristics	Internal control of power output, Trigger input
Light colour	Blue, 470 nm
Emission angle	30°
Illumination intensity	6.450 Lux (0,1 m), 1.400 Lux (0,2 m), 220 Lux (0,5 m)
Service voltage	10 ... 35 V DC (Supply Class 2)
Internal power consumption	max. 320 mA, (10 V DC)
Light outlet	axial
Trigger input low level	0 ... <2,8 V
Trigger input high level	> 3,3 ... 35 V
Power	3,5 W (10...35 V DC)
Shock-/vibration load	10 ... 55 Hz / 1,0 mm / 30 g
Inverse polarity protection	Yes
Display	LED: green - operation indicator
On-delay time (Trig.)	0,380 ms
Switch off delay (Trig.)	0,065 ms
Ambient temperature	0 ... +50 °C
Protection class	IP 67
Protection degree	III, operation on protective low voltage
Risk group (DIN EN 62471)	Risk group 1
Casing material	Aluminium black anodized
Material	polymethyl methacrylate (Window)
Connection	Connector, M12, 3-poled
Connecting cable	VK ...